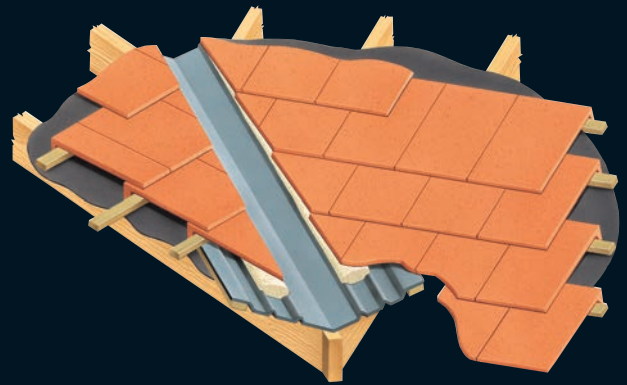


Type VG

Valley Gutter

- Suitable for roof pitches from 15° to 70°
- Integral keying
- Conventional appearance when built in
- Preformed in long lengths



USE

To act as water and weatherproof channel within valley between converging roof slopes.

SOLUTION

Preformed Valley Gutters are manufactured from glass reinforced polyester and provide an alternative to the site fabricated lead valley. Two styles are available for use with slate or tiled roofs.

Both are finished with a tough film coat that is coloured to resemble the appearance of lead and offers excellent weathering qualities.

The Valley Gutter for tiles (VG-T) has integral water-check ribs to its sides and two sanded mortar adhesion strips.

The Valley Gutter for slates (VG-S) is manufactured with a deeper profile. Both may be used to satisfy the requirements of roofs constructed to BS 5534: Part 1 -1990 (Slating and Tiling) and Part 6 of BS 8000.

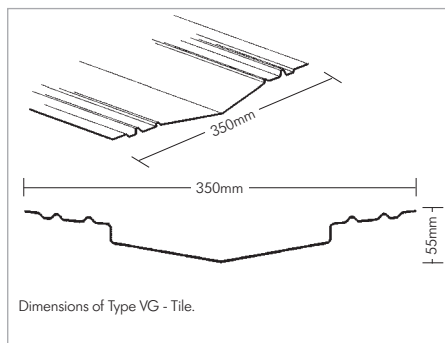
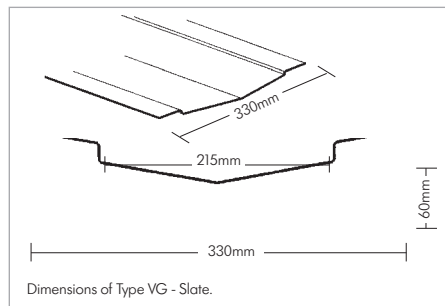
Type VG Valley Gutters are fire resistant in accordance with Bs 476, classification P60 (SAB) class three.

SPECIFICATION WORDING

Type VG Valley Gutter by Cavity Trays of Yeovil Somerset BA22 8HU (01935 474769).

Incorporate at all valleys, supported as required and under-cloaked with roofing felt.

Metres run



PRODUCT NAME - GROUP

Type VG Valley Gutter

DIMENSIONS

VG-T 3000m x 350mm

VG-S 3000m x 330mm

ROOF PITCH SUITABILITY

Normally pitches from 15° to 70°

NEW WORK APPLICATIONS

Yes

RETROFIT APPLICATIONS

Yes

MATERIAL

Glass reinforced polyester

COLOUR

Grey

EXTRUDES / COMPRESSES UNDER LOAD

No

PACK SIZE

Available individually

CFC

CFC Free

ODP

Zero

REGULATION COMPLIANCE

As part of compliant roofing installation

CAD DOWNLOADS

Yes

DESIGN CONSIDERATIONS

Ensure installation follows NHBC guidelines regarding support and undercloak strip of roofing felt 72.

DESIGNERS' COMMENTS

NHBC 72 – S11 stipulates a strip of roofing felt a width of 600mm minimum be provided under all valleys and the main roof underlay should be dressed over the valley battens. Type VG Valley Gutters meet the requirements for standard double lap valley troughs in NFRC Technical Bulletin 28. Always ensure the open width of the valley in any slate or tile roof complies with BS 5534: part 1 :1997.